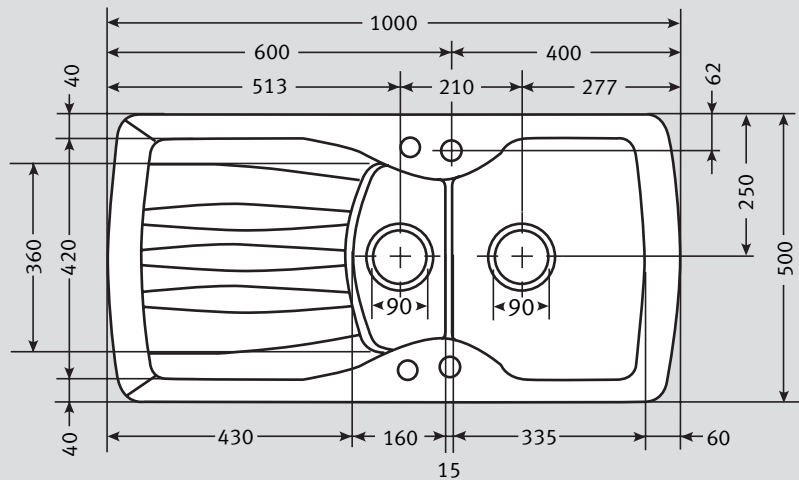
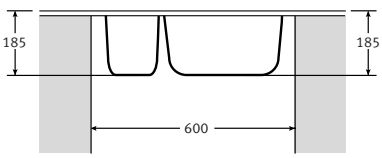
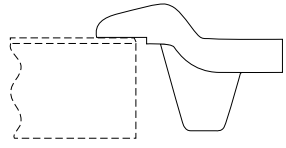


Calypso COK 651 Specifications

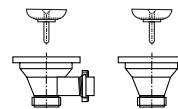
- **2 x 90mm Wastes with Basket Strainer Wastes.**
Capable of adaptation to take Waste Disposal Unit
- **Bespoke accessories**
- **Unique Calypso Design**

N.B. Ceramic sinks may vary +/- 1% due to the firing process.

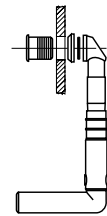


Materials:	Fireclay Ceramic	Waste*:	1 x Lira 90mm waste and overflow 1 x 90mm Lira Basket Strainer	Overflow*:	Waste
Application:	Inset				
Bowl Size:	335 x 420 x 185 160 x 360 x 185				
Drainer Format:	Reversible				
Cut-out Size:	930 x 470 (cr=20)				
Colour:	Gloss White or Eggshell Oatmeal				
Seal:	Utilise Mastic Sealant Locally				
Insulation:	Integral				
Heat Resistance:	Up to 1000°C				
Earthing Point:	Not applicable				
Cabinet Size:					
Fixing Clips:	Utilise mastic 				

Waste*: 1 x Lira 90mm waste and overflow
1 x 90mm Lira Basket Strainer



Overflow*: Waste

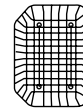


*Also available in Zirconium finish

Accessories Available:



Food Preparation Platter
Mahogany

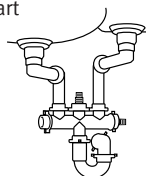


Drainer Basket
Available in White



Strainer Bowl
Translucent

Suggested Plumbing Kit: 2 part



Taps: Any Franke tap can be utilised with this model*.

*Ceramic disc taps in certain installations or where there is a low head of water (below 4 metres) may not provide adequate flow rates. You are advised to check with your supplier.

Guarantee: Franke sinks are guaranteed for 25 years against manufacturing defect. Franke taps are guaranteed against defective materials and workmanship for 1 year in relation to coatings and finishes, and 5 years in relation to moving parts. Franke will replace (and where appropriate repair) defective sinks. In relation to taps, Franke will where appropriate provide replacement parts for your taps or replace your taps. Any associated or ancillary costs to be incurred by you as a result of replacement of Franke sinks and taps under this guarantee shall in all cases be approved by Franke UK Limited. This guarantee is in addition to and does not affect your statutory rights.